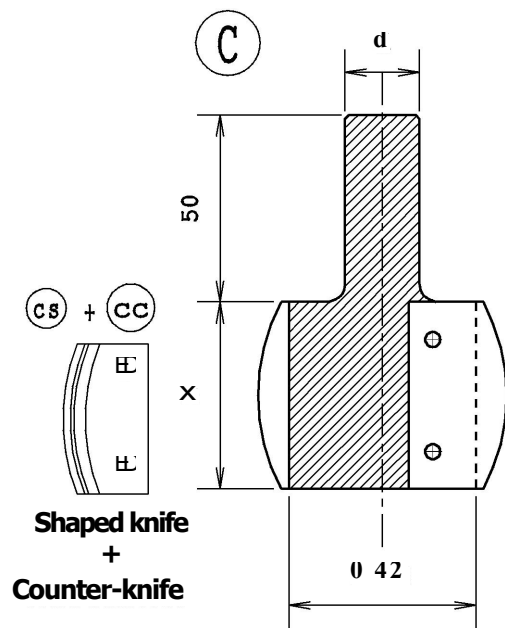
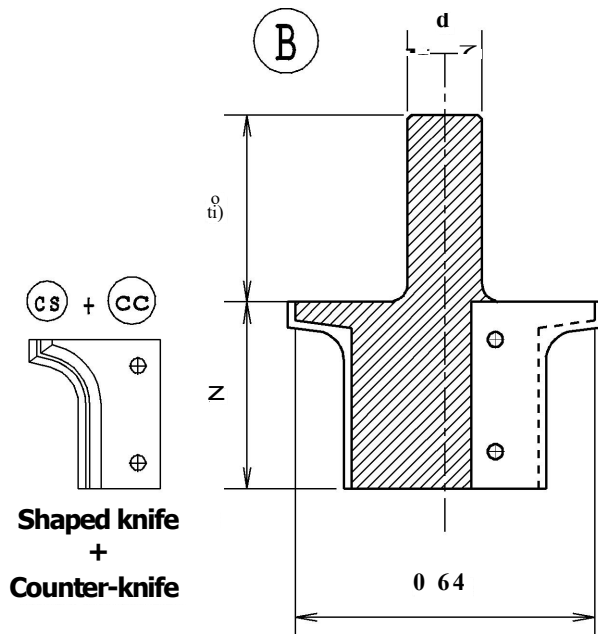
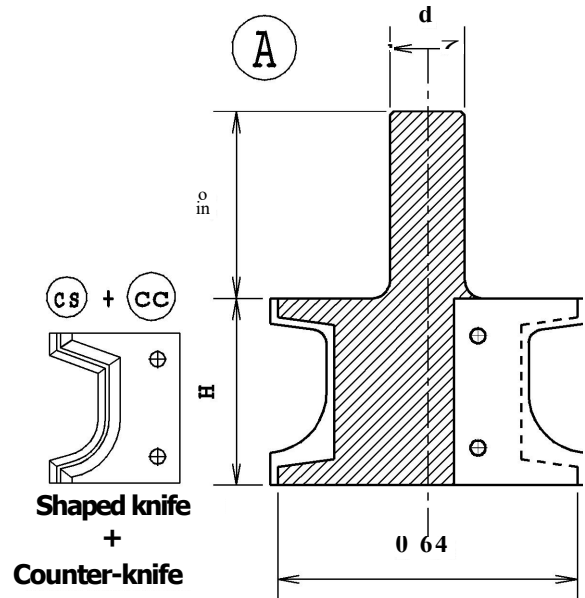


MULTIPROFILE PANTOGRAPH CUTTER HEAD

FMP

Built with carbide knives and steel counter-knives for the production of shaped profiles from drawing or from sample on CNC machining centers.



D. (A B)	D. (C)	d.	H	Z	Max Turns	Code
64	42	20	40	2	14.000	pps40
64	42	20	50	2	14.000	pps50
64	42	20	60	2	14.000	pps60
64	42	25	80	2	12.000	pps80

Nuova brilwa s.r.l. Via Calvi,3 Carugo (Co) Tel-Fax 031761413